

TranzSporter

Wall Jacks

The New Standard for lifting Heavy Walls



***A pair of TranzSporter
Wall Jacks raises
walls in minutes!***



**TIE DOWN ENGINEERING • 5901 Wheaton Drive • Atlanta GA, 30336
www.tiedown.com • (404) 344-0000 • Fax (404) 349-0401**



030306.E820

TranzSporter Wall Jacks

Two contractors and a pair of TranzSporter Wall Jacks can lift a preformed wood wall in minutes! Using the latest in technology and a tube laser cutter, TranzSporter offers both the best priced and most advanced wall jack on the market. Their easy to use...

1. Insert the pin and safety clip after elongating the telescoping tubes. (A minimum of 2 TranzSporter Wall Jacks is required.) ▶



◀ 2. The adjustable wall stop must be preset to 1.45 times the wall height.

3. The lifting brackets are nailed to the upper plate of the wall. The bottom of the wall is toe nailed to the sub floor; this prevents the wall from slipping. ▶



▲ 4. Stand the wall jack in an upright position and nail the wall jack foot (near floor joist) to sub floor, flush with the lifting bracket.



▲ 5. Start lifting! Each worker operates the jack in unison. The TranzSporter Wall Jack Tubes should stay in contact with the upper plate during the lifting process.



◀ When the wall reaches its vertical position, it is held tightly in position by the wall stop. Use TranzSporter Adjustable Wall Braces to secure the wall in place prior to removing the TranzSporter Wall Jacks.

Wall Jacks Enhanced Features...

Unique Top Cap Design ▶

Fast and easy access to cable and pulley.

Spring Loaded Wall Stop ▶

Adjusting for the correct wall height is quick and easy using TranzSporter's spring tensioned wall stop. Features a comfortable plastic covered handle.



◀ NEW 23' Wall Jack

Designed to lift virtually all wall heights. The 23' TranzSporter Wall Jack can lift walls 8'-3" to 15'-6". No other wall jack can do this!



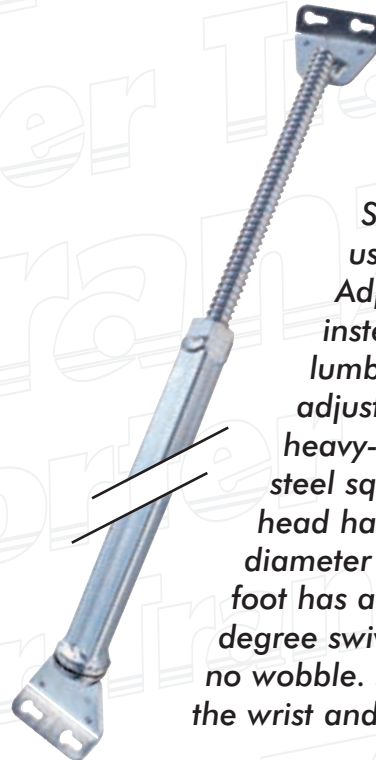
◀ Square Tube Design

Stronger than round tube and easier to use. Square tubes won't roll on ladder or van racks while driving.



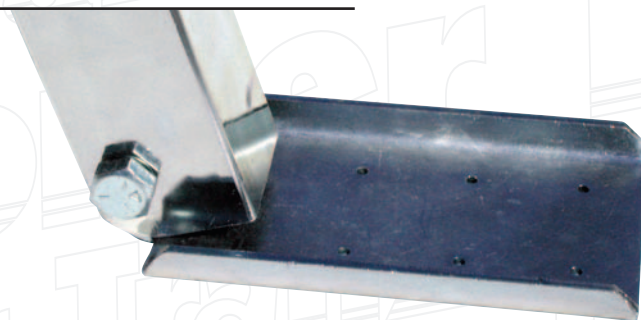
◀ Superior Adjustable Wall Brace

Save time and money using TranzSporter Adjustable Wall Brace instead of bracing with lumber. The 10' adjustable brace uses a heavy-duty, 1" zinc plated steel square tube. The head has a 12" long 3/4" diameter fast turn screw and foot has a smooth action 360 degree swiveling bracket with no wobble. Just a few turns of the wrist and the wall is plumb.



▶ Improved Wall Jack Foot Design

No more expensive lower tube replacement! TranzSporter Wall Jacks uses a 1" grade 5 bolt with nyloc nut for simple "foot" replacement.



TranzSporter Wall Jack Specifications...

Extended Length:	16'	20'	23'
Part Number:	48581	48582	48583
Closed Length:	9'6"	11' 6"	12' 6"
Weight:	50 lbs. each	70 lbs. each	80 lbs. each
Wall Lift:	7' to 10'-6"	8' to 13'-6"	8'-3" to 15'-6"
Capacity:	2,000 lbs per pair	1,000 lbs per pair	1,000 lbs per pair

Wall Stop Settings (From foot to wallstop)

Wall	Stop Height
8'	11' 7"
8' 3"	12'
8' 6"	12' 3"
9'	13'
9' 6"	13' 9"
10'	14' 6"
10' 6"	15' 2"

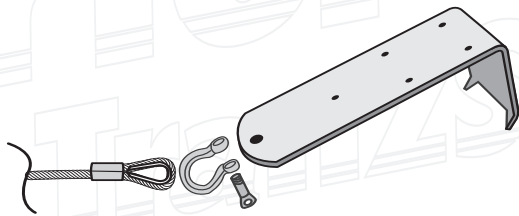
Wall Stop Settings (From foot to wallstop)

Wall	Stop Height
11'	15' 11"
11' 6"	16' 8"
12'	17' 4"
12' 6"	18' 1"
13'	18' 10"
13' 6"	19' 7"

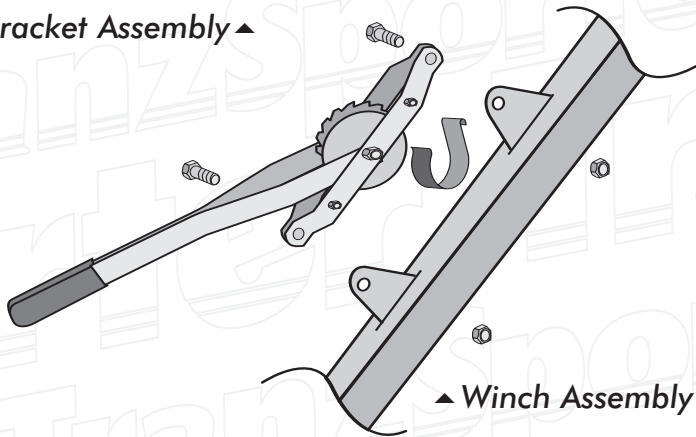
Wall Stop Settings (From foot to wallstop)

Wall	Stop Height
13'	18' 10"
13' 6"	19' 7"
14'	20' 3"
14' 6"	21'
15'	21' 9"
15' 6"	22' 5"

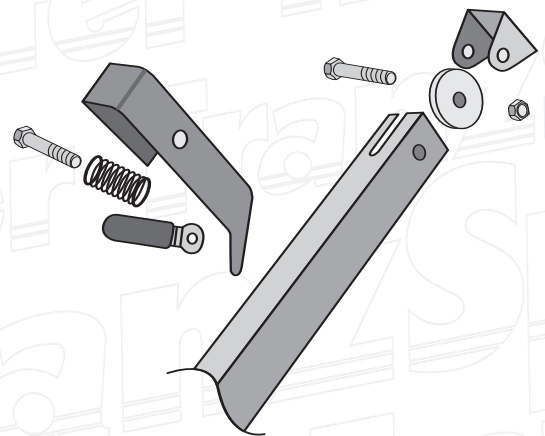
Wall Jack Parts Diagram



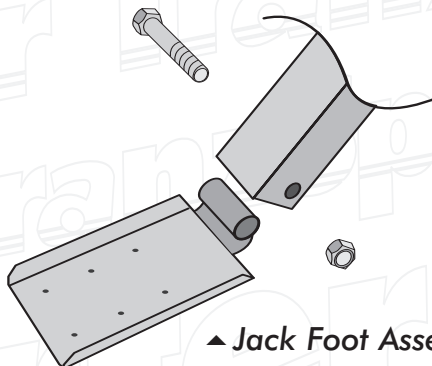
▲ Lifting Bracket Assembly



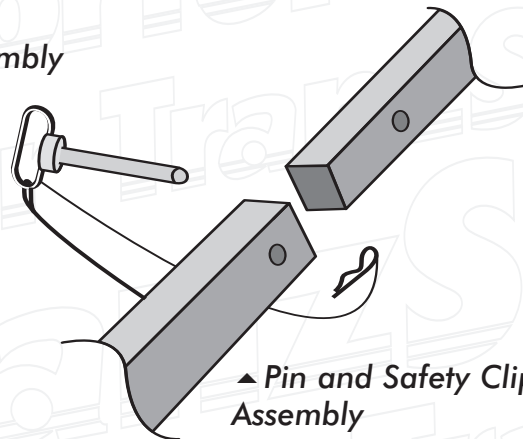
▲ Winch Assembly



▲ Top Cap and Wall Stop Assembly



▲ Jack Foot Assembly



▲ Pin and Safety Clip Assembly